





# MARINESKO


MARINE LOGISTIC COMPANY


## TRIUMPH IV DWCC 6900 MT



 Istanbul - Turkey

 chartering@marinesko.org

 Marinesko MLC

 +9053 452 475 17

 <http://www.marinesko.org>

 grampus\_white

### General

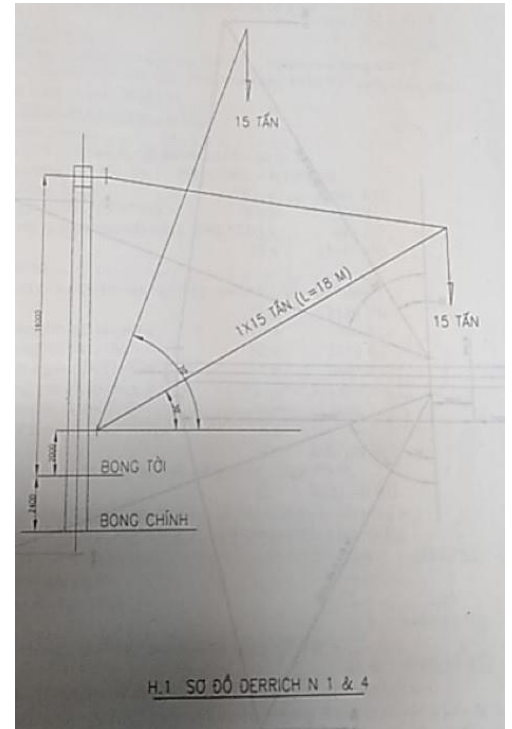
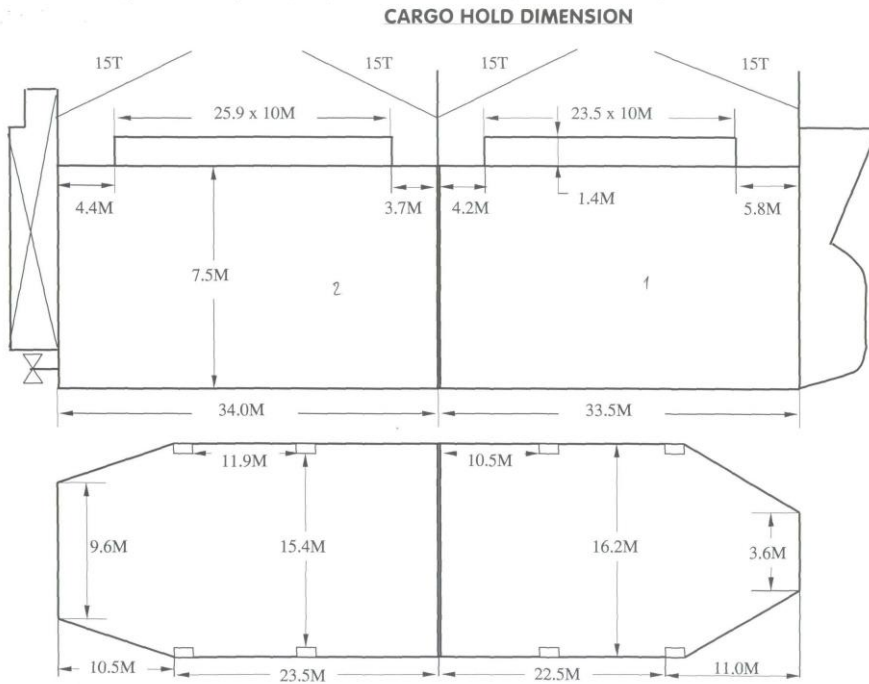
<b>Name:</b>	TRIUMPH IV	<b>Built:</b>	2003
<b>IMO No:</b>	9311555	<b>Call Sign:</b>	ER2719
<b>Flag:</b>	MOLDOVA	<b>Port of Registry:</b>	GIURGIULESTI
<b>Class:</b>	VERITAS REGISTER OF SHIPPING	<b>Type of Vesell:</b>	GENERAL CARGO
<b>DWT/DWCC:</b>	7150 MT/ 6900MT	<b>Summer Draft:</b>	7.4m
<b>GT/NT:</b>	4039MT / 2360MT	<b>LOA:</b>	94.5m / beam 17.00m / depth 8.80m

### Hold/Hatches

<b>Ha: 1</b>	23.35m x 10.00m
<b>Ha: 2</b>	25.90m x 10.00m
<b>Ho: 1</b>	34.00m x 16.20m x 7.50m
<b>Ho: 2</b>	33.40m x 16.20m x 7.50m
<b>Grain/Bale:</b>	311 000cft / 293 760cft

# Pocket Plan

Pressure on : Cargo holds tank top : 7.8T/M<sup>2</sup> ; Main deck : 7.03T/M<sup>2</sup> ; Hatch cover : 1.9T/M<sup>2</sup>



# Hold Photos

